

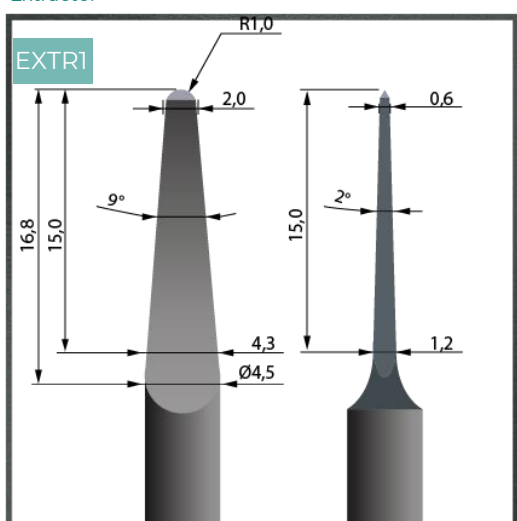
MAGNETIC MALLET INSTRUMENTS

All the instruments have the depth measures laser marked on the tip. This depth is fitting the main implant systems.

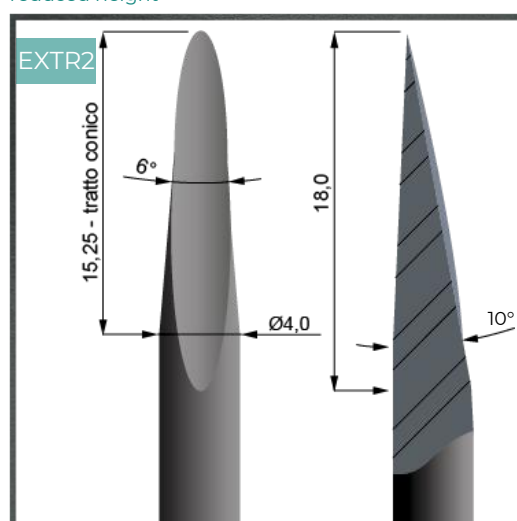


magnetic
MALLET

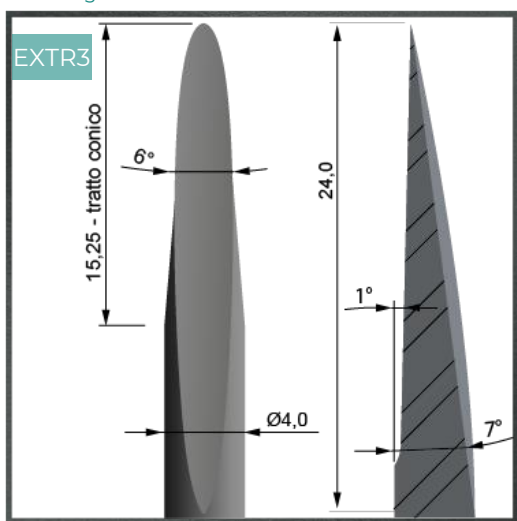
Extractor



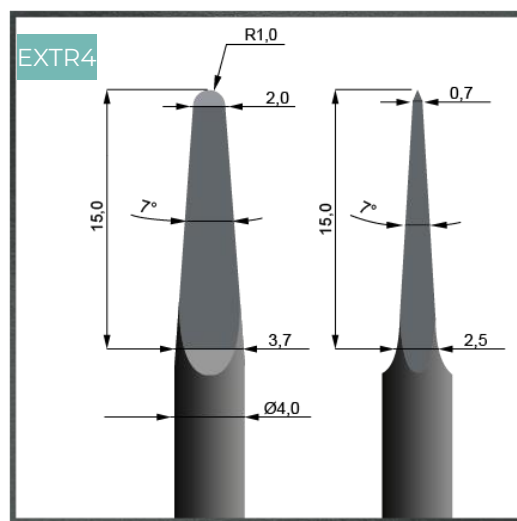
Extractor concave profile reduced height



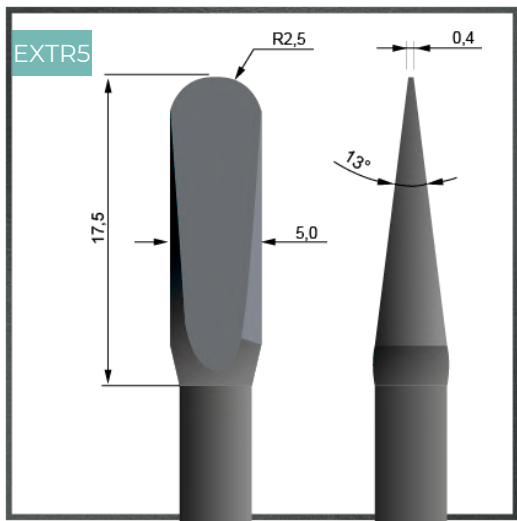
Extractor concave profile total height



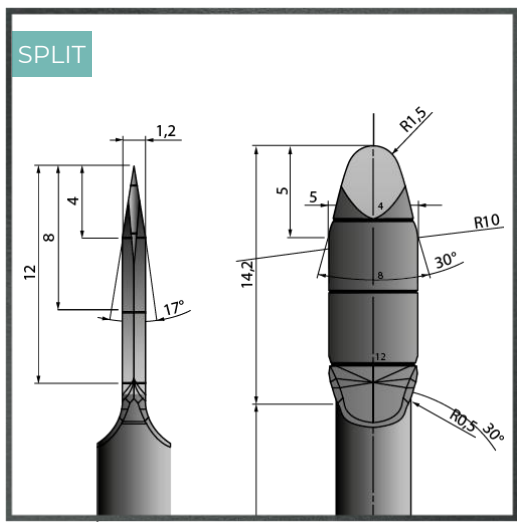
Thin lever 3rd molars luxation



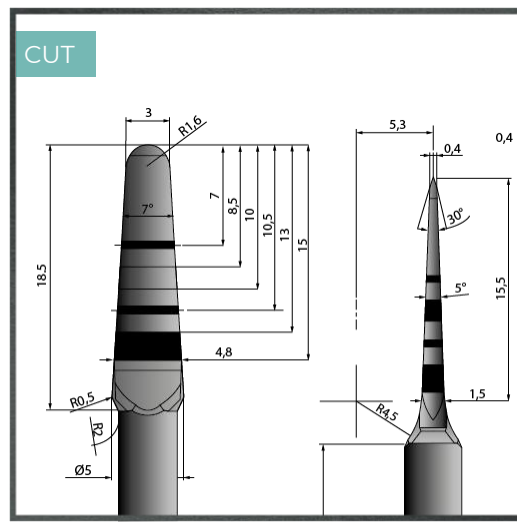
Thick lever 3rd molars luxation



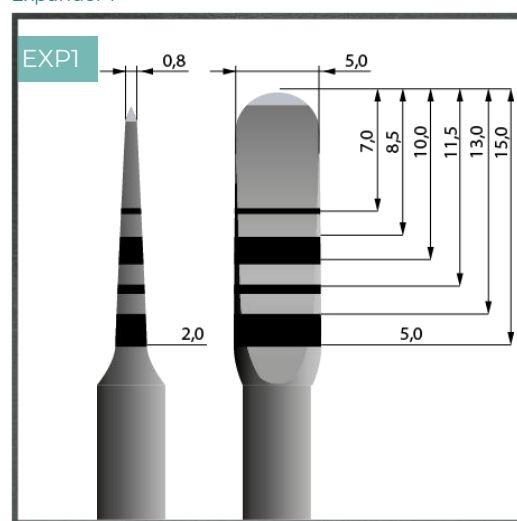
First invitation in the crest



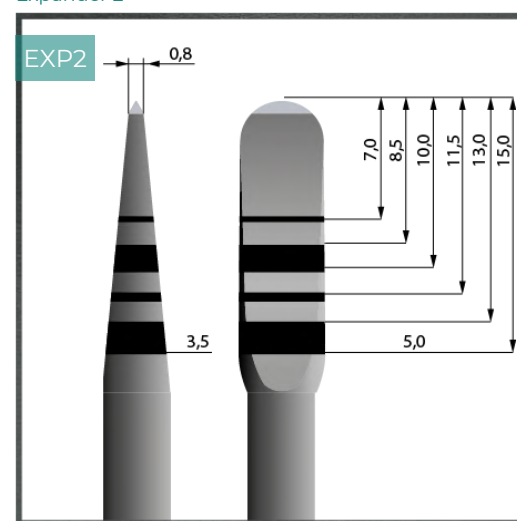
Initial expander



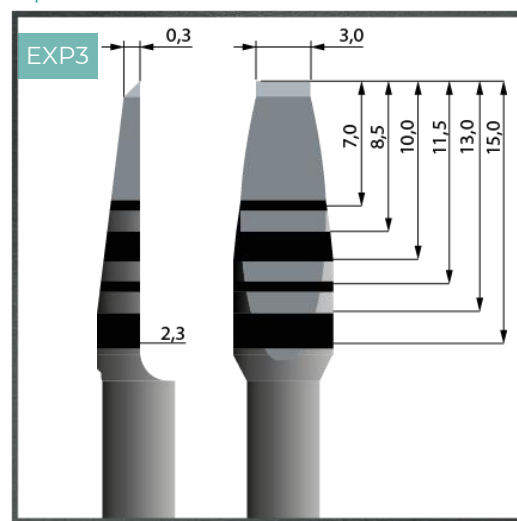
Expander 1



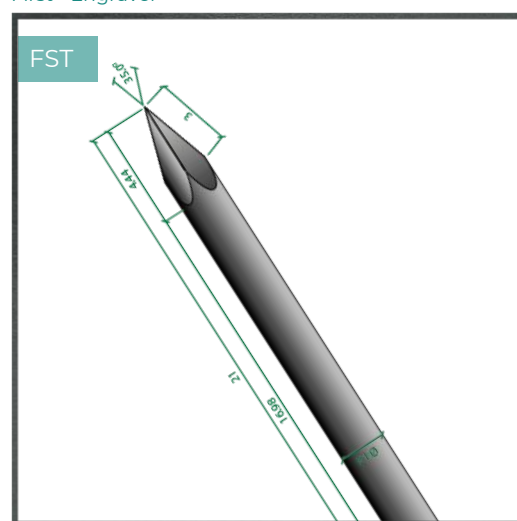
Expander 2



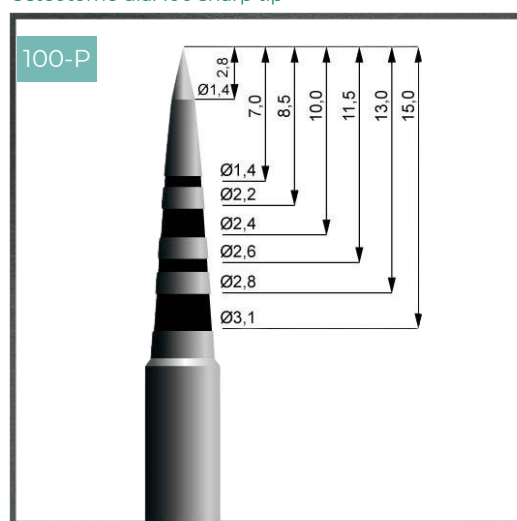
Expander 3



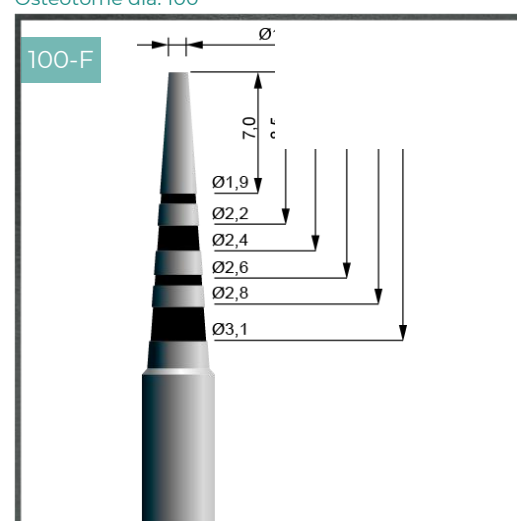
First - Engraver



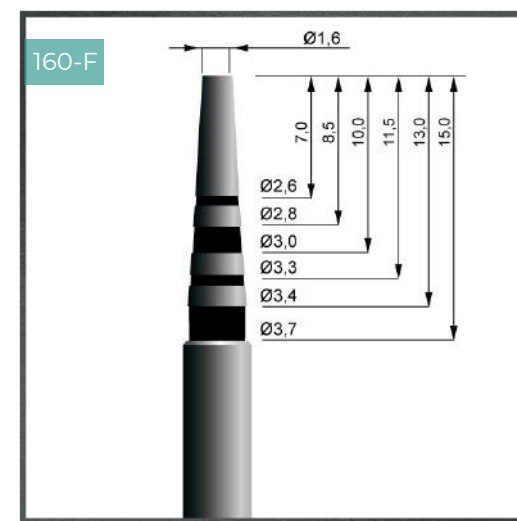
Osteotome dia. 100 sharp tip



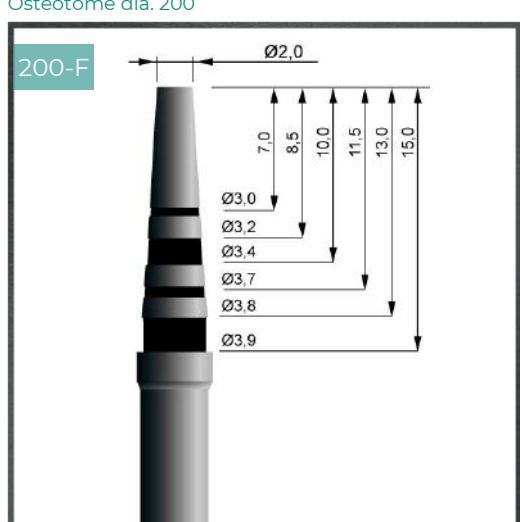
Osteotome dia. 100



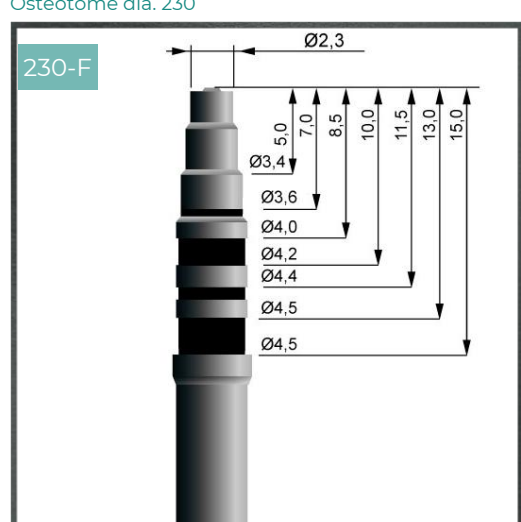
Osteotome dia. 160



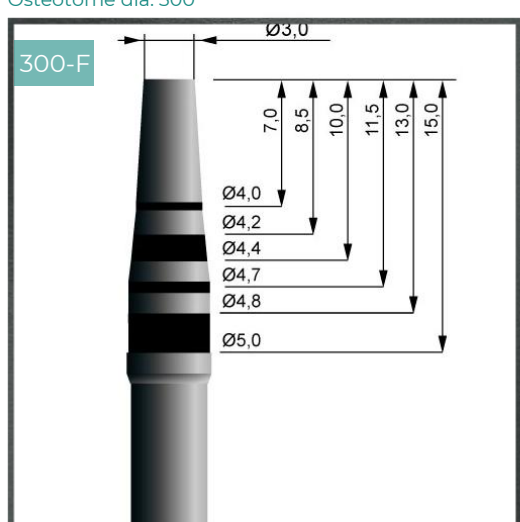
Osteotome dia. 200



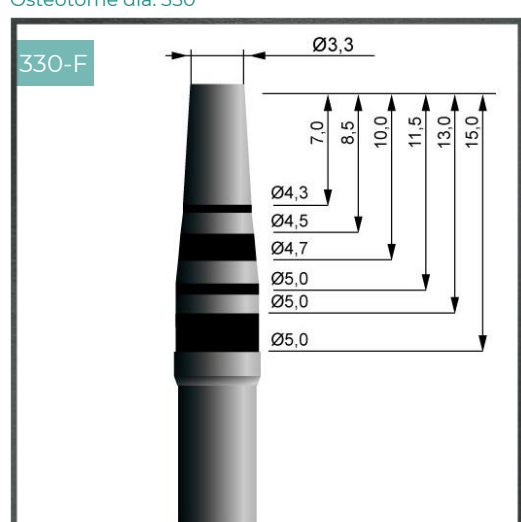
Osteotome dia. 230



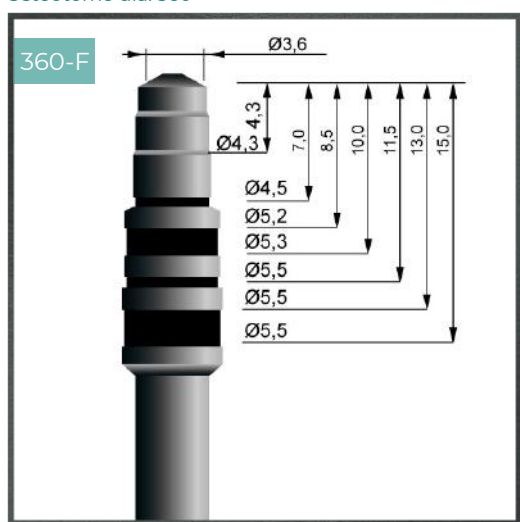
Osteotome dia. 300



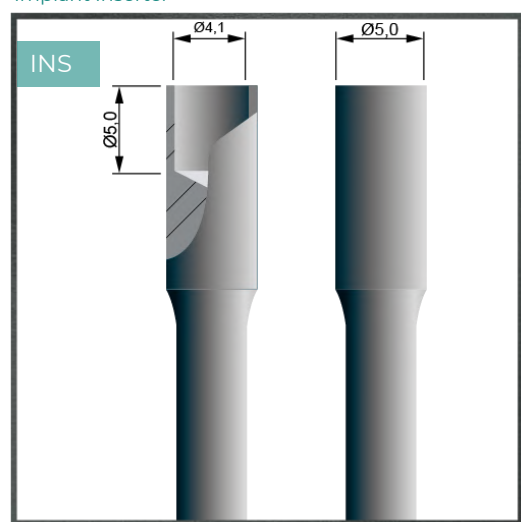
Osteotome dia. 330



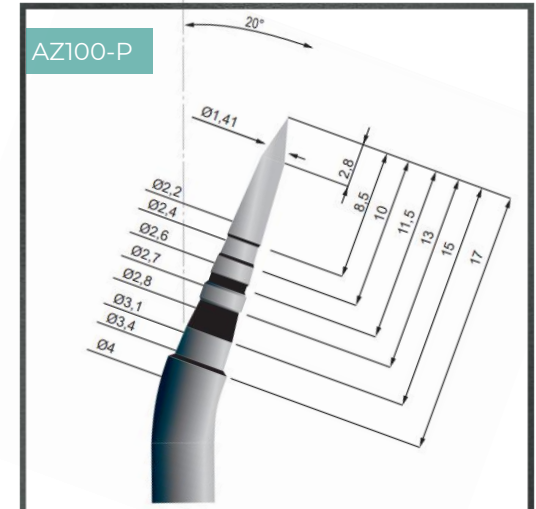
Osteotome dia. 360



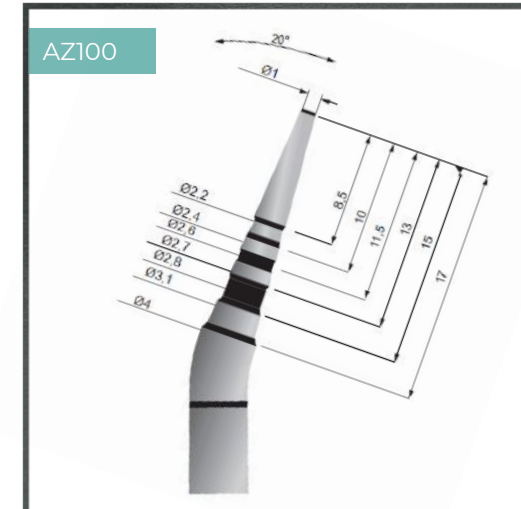
Implant Inserter



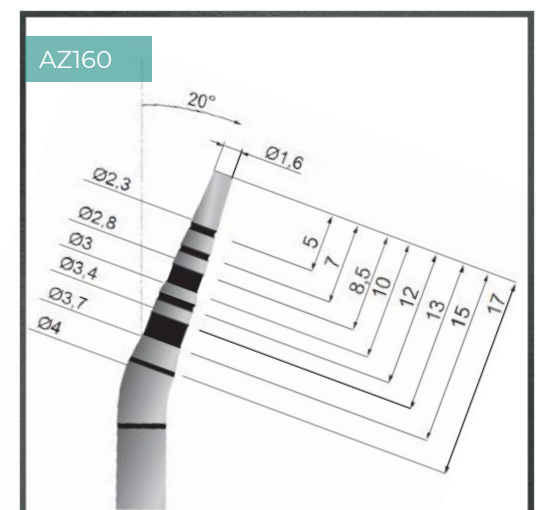
AZ Osteotome dia. 100 sharp tip



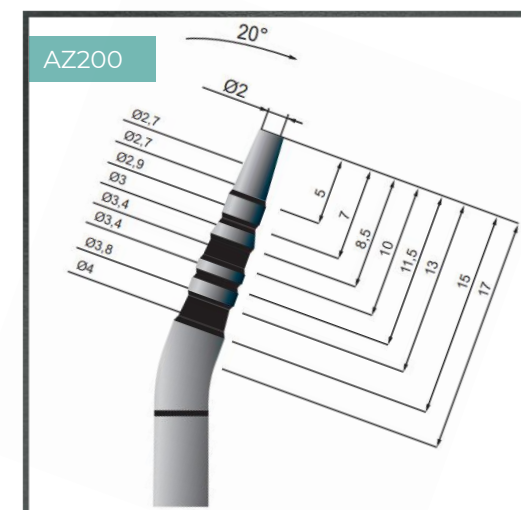
AZ Osteotome dia. 100



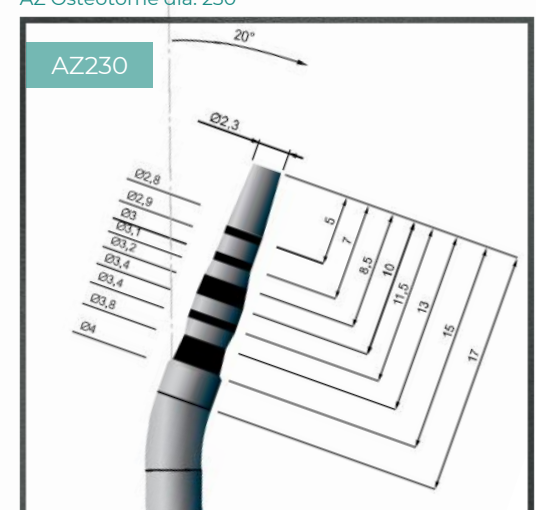
AZ Osteotome dia. 160



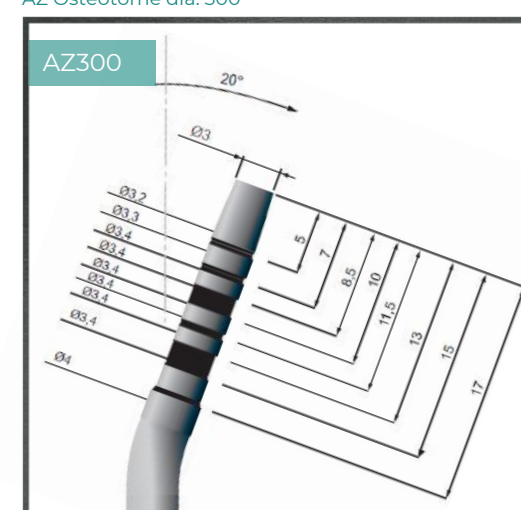
AZ Osteotome dia. 200



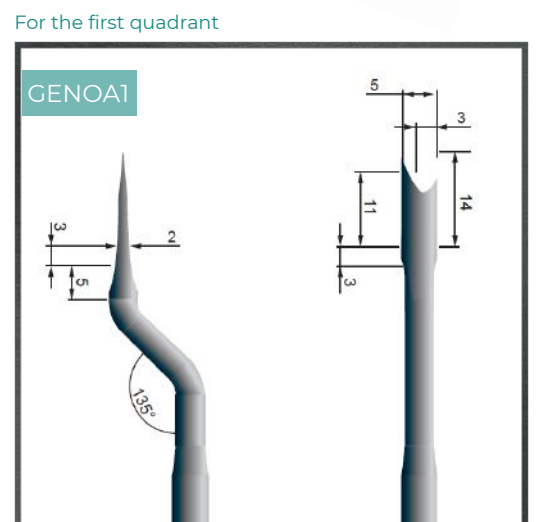
AZ Osteotome dia. 230



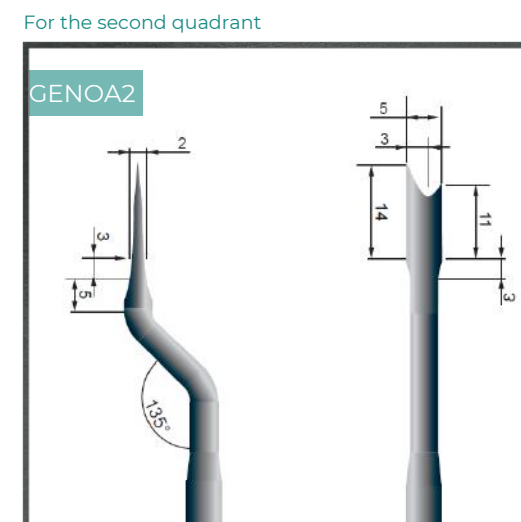
AZ Osteotome dia. 300



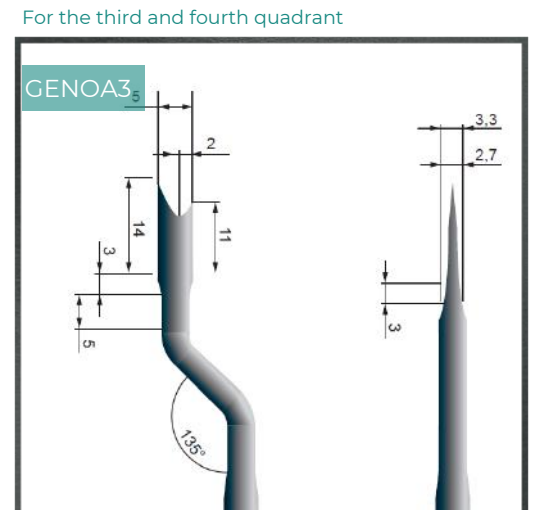
For the first quadrant



For the second quadrant



For the third and fourth quadrant



osseotouch
TOTAL CONTROL

©copyright

META ERGONOMICA S.R.L.

Via Monte Nero, 19

20029 TURBIGO (MI) - ITALY

Tel 0331-1535586 / 0331-890280

www.osseotouch.com

contact@osseotouch.com

